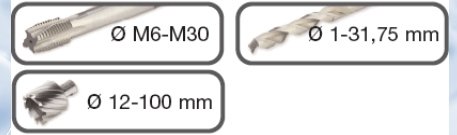


ECO-100/4



ECO-100/4

Freze Uç Yle Delme Çapı	12-100 mm
Normal Uç Yle Delme Çapı	1-31,75 mm
Klavuz Çekme	M6-M30 mm
Havsa	100 mm
Mil Kalınlığı	MC 3-19 mm.
Elektrik Gücü	230V-AC
Motor Gücü	1800 W
Manyetik Tutma Gücü	3000 kg.
Hız (1)	40-110 dak.-1
Hız (2)	120-175 dak.-1
Hız (3)	140-370 dak.-1
Hız (4)	220-600 dak.-1
Strok	255 mm
Ağırlık	26 kg.



MARINE ENGINEERING

Adres: Yayla Mah. Vatan Cad. MEKA İş Merkezi No: 58 Kat:3 D.16
Tuzla - İSTANBUL / TURKEY

Tel: + 90 216 701 23 13 Fax: +90 216 701 23 14 Gsm: +90 532 506 39 59
web: www.marine-engineering.net

6 - Spare parts & Exploded view

1	100.4001	Frame	62	100.4312	Friction Clutch complete
2	100.0006	Screw SSM8x25	63	100.0372	Carbon Brush Holder
3	100.0031	Washer M8	64	100.4383	Field 230v
4	020.0096	Setting Nut		100.4384	Field 110v
5	020.0138	Setting Screw	65	100.4388	Housing
6	100.0038	Magnet Base	66	100.0391	Baffle
7	020.0201	Sensor	67	100.4401	Inner Gear Plate
9	100.4041	Slide	68	100.0458	Gasket
10	100.0076	Rack	69	040.0161	Needle Bearing
11	100.0066	Screw SSM6x30	70	100.4320	Double Gear 2
12	100.0046	Motorholder	71	100.4321	Axle 1
13	100.0071	Screw SSM6x55	72	100.0426	Circlip
14	020.0106	Screw SSM6x16	73	100.4431	Spindle Key
15	100.0081	Brass rail set (stick)	74	100.4324	Spindle Gear (38T)
16	100.0084	Pressing strip	75	100.4411	Adaptor Ring
17	100.0101	Capstan hub assembly	76	100.0446	Bearing
	020.0336	Power Assist (big)	77	100.0451	Circlip
18	020.0077	End Plate	78	100.4326	Gear Casing
19	020.0081	End Screw	79	100.0461	Spindle Drive Shaft
20	100.0116	Arm for Capstan	80	100.0466	Bearing
21	100.0122	Motor Fixing	81	100.0471	Circlip
22	100.0126	Screw SSM8x35	82	100.0476	Adaptor Ring
23	020.0151	Magnet spring ball	83	100.0481	Needle Bearing
24	020.0106	Screw SSM6x16	84	100.0486	Washer
25	PP.RLEU	Rear plate	85	100.4491	Double Gear 1
26	100.0136	Motorcable	86	100.4496	Key
27	020.0041	Coupling nut for motorcable	87	100.4332	Axle 2
28	020.0031	Coupling nut for maincable	88	080.0351	Bearing
29	020.0036	Main Cable Euro	89	100.4334	Axle 3 (13T)
30	020.0182	Screw+washer+nut	90	100.4336	Clutch Shaft 2
31	020.0101	Panel screw			
32	PP.100/4	Front plate	92	100.4526	Key 3 (L)
33	020.0206	Sensor LED+cable	93	100.4621	Plate for Gear Casing
34	020.0006	On/Off Switch	94	100.4342	Clutch Shaft 1
35	020.0016	Fuse holder	95	040.0286	Gear Switch
36	020.0017	Fuse F2A	96	100.4344	First Gear
37	020.0011	Magnet Switch	97	100.4346	Cylinder
38	100.0152	L/R switch (push)	98	100.4348	Shell 25
39	100.0002	Control Unit 220v	99	100.4350	Nut
	100.0003	Control Unit 110v	99A	100.4351	Washer
40	PPA.100/4	Panel Plate Assembly	99B	100.4338	Friction Disk 1
41	100.4303	Motor unit 1800W / 220v	99C	100.4340	Brass Disk 1
	100.4304	Motor unit 1800W / 110v	99D	100.4349	Brass Disk 2
			99E	100.4353	Friction Disk 2
51	100.0306	Screw	100	100.4352	Shell 28
52	100.0459	Screw	101	100.0581	Circlip
53	100.4318	Armature 230v	102	080.0576	Bearing
	100.4319	Armature 110v	103	100.0571	Circlip
54	100.0322	End Cover	104	100.4571	T/S Switch housing Red/Blue
55	100.0536	Screw	105	100.0611	T/S Switch Cover
56	100.4333	Speed Control Unit 230v	106	100.4572	Speed Potentiometer 100K
	100.4334	Speed Control Unit 110v	107	100.4573	Torque Potentiometer 1K
57	100.0346	Rubber Fitting Ring	108	100.4574	Red Wheel
58	100.1310	Washer	109	100.4575	Blue Wheel
59	100.0348	Armature Speed Disk	110	100.0549	Casing Pin
60	100.0506	Bearing	111	100.0617	Screw 6x45
61	100.0368	Carbon Brush set	112	100.4569	T/S Switch Housing complete

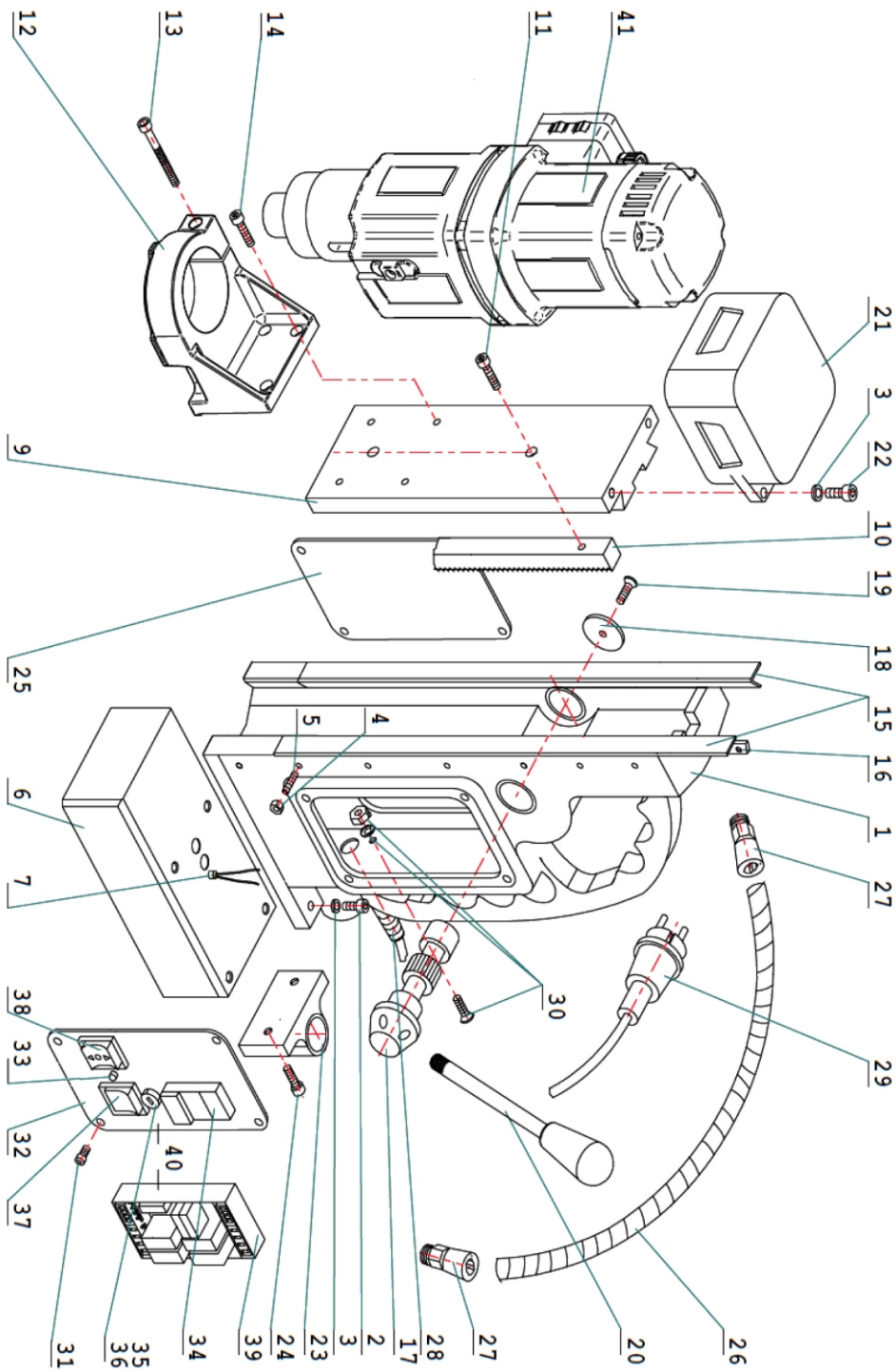
MARINE ENGINEERING

Adres: Yayla Mah. Vatan Cad. MEKA İş Merkezi No: 58 Kat:3 D.16
Tuzla - İSTANBUL / TURKEY

Tel: + 90 216 701 23 13 Fax: +90 216 701 23 14 Gsm: +90 532 506 39 59

web: www.marine-engineering.net

Frame ECO.100/4



Important notice :

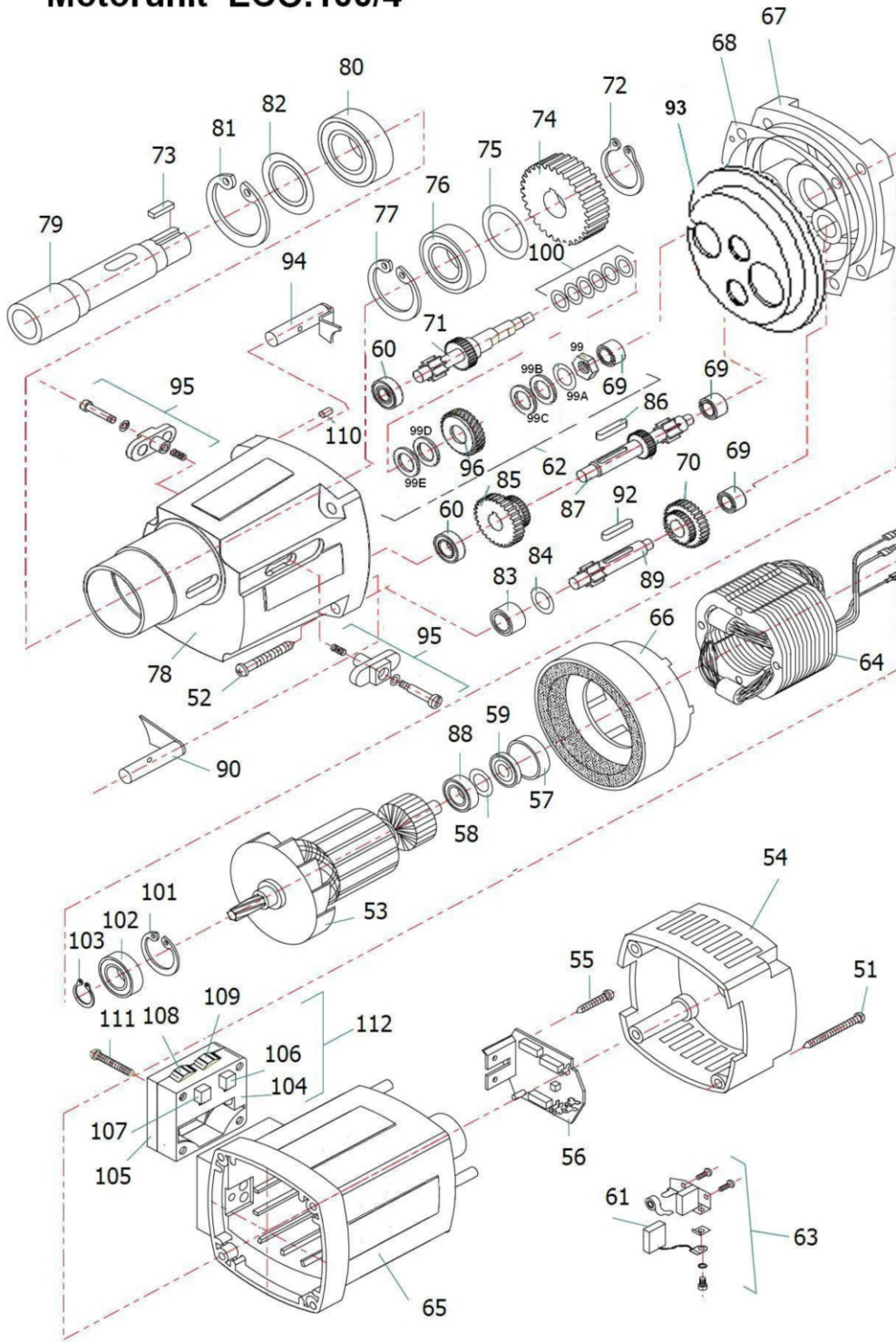
Because of minor changes to our machines it is recommended to provide the framenumber of your machine when ordering spare parts. This number can be found on front of machine at magnetic base and frame. When you have any doubt when ordering spare parts, please contact your supplier before ordering.

MARINE ENGINEERING

Adres: Yayla Mah. Vatan Cad. MEKA İş Merkezi No: 58 Kat:3 D.16
Tuzla - İSTANBUL / TURKEY

Tel: + 90 216 701 23 13 Fax: +90 216 701 23 14 Gsm: +90 532 506 39 59
web: www.marine-engineering.net

Motorunit ECO.100/4



MARINE ENGINEERING

Adres: Yayla Mah. Vatan Cad. MEKA İş Merkezi No: 58 Kat:3 D.16
Tuzla - İSTANBUL / TURKEY
Tel: + 90 216 701 23 13 Fax: +90 216 701 23 14 Gsm: +90 532 506 39 59
web: www.marine-engineering.net