

ECO-32



ECO-32

Freze Uç ile Delme Çapı	12-32 mm
Normal Uç ile Delme Çapı	1-13 mm
Mil Kalınlığı	19 mm
Elektirik Gücü	230V-AC
Motor Gücü	900 W
Manyetik Tutma Gücü	1500 kg.
Hız	450 dak. -1
Strok	150 mm
Ağırlık	11 kg.



Ø 1-13 mm



Ø 12-32 mm



MARINE ENGINEERING

Adres: Yayla Mah. Vatan Cad. MEKA İş Merkezi No: 58 Kat:3 D.16
Tuzla - İSTANBUL / TURKEY

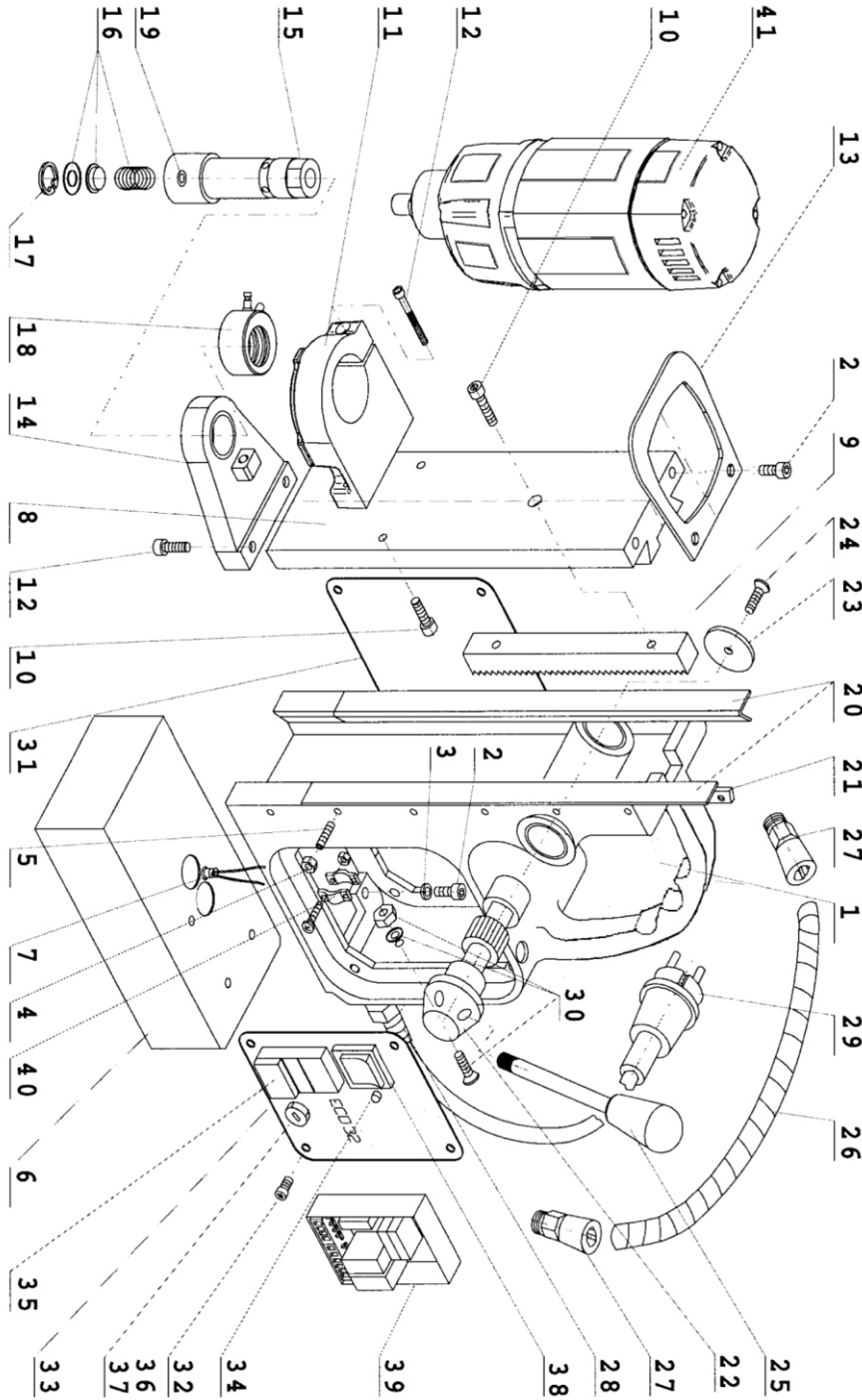
Tel: + 90 216 701 23 13 Fax: +90 216 701 23 14 Gsm: +90 532 506 39 59
web: www.marine-engineering.net

6 - Spare parts & Exploded view of ECO.32

<u>Nr.:</u>	<u>Article:</u>	<u>Description</u>	<u>Nr.:</u>	<u>Article:</u>	<u>Description</u>
1	020.0056	Frame	33	PP.32EU	Front plate
2	020.0106	Screw SSM6x16	34	020.0206	Sensor LED + cable
3	020.0111	Washer M6	35	020.0006	On/Off switch
4	020.0096	Setting Nut	36	020.0016	Fuse Holder
5	020.0091	Setting Screw	37	020.0017	Fuse F2A
	020.0098	Setting set (6x No. 4+5)	38	020.0011	Magnet Switch
6	020.0052	Magnet H=42mm	39	020.0001	Control Unit 220v
	020.0051	Magnet (-2004) H=48mm		020.0002	Control Unit 110v
7	020.0201	Sensor	40	020.0037	Cable clamp
8	032.0011	Slide	41	032.0101	Motor unit 220v
9	032.0016	Rack		032.0102	Motor unit 110v
10	020.0156	Screw SSM6x20	51	032.0136	Screw for spring
11	032.0026	Motor holder	52	032.0141	Spring
12	020.0146	Screw SSM6x25	53	032.0116	Screw BK4,2x13
13	032.0041	Top fixing plate 120mm	54	032.0156	Screw BK3,9x60
14	020.0142	Steady	55	032.0121	Adaptor ring 22x0,5
15	020.0116	Spindle	56	032.0191	Adaptor ring 17x0,1
	020.0116Q	Spindle Quick connect	57	032.0126	Bearing (closed) 8x22x7
16	020.0121	Spring set spindle	58	032.0221	Bearing 8x22x7
17	020.0131	Circlip	59	032.0171	Bearing 12x28x8
18	020.0145	Auto coolant Ring	60	032.0186	Spindle Gear
19	020.0136	Fixing Screw M8x8	61	032.0226	First Gear
20	020.0086	Brass rail set-stick	62	032.0201	Spindle Drive shaft
21	020.0084/4	Pressing Strip 4 holes	63	032.0231	Axle
	020.0084/6	Pressing Strip 6 holes	64	032.0131	Adaptor ring Cap
22	020.0061	Capstan Hub assembly	65	032.0146	Carbon brush set
	020.0330	Power Assist small	66	032.0151	Field 220v
23	020.0077	End Plate		032.0152	Field 110v
24	020.0081	End Screw	67	032.0181	Armature 220v
25	020.0066	Arm for Capstan		032.0182	Armature 110v
26	020.0046	Motor cable	68	032.0111	End Cover
27	020.0041	Coupling nut motor cable	69	032.0241	Housing
28	020.0031	Coupling nut main cable	70	032.0206	Gear Casing
29	020.0036	Main Cable	71	032.0216	Screw BK4,8x38
30	020.0182	Screw + washer + nut	72	032.0106	Screw BK4,8x50
31	PP.RSEU	Rear plate	73	032.0196	Bearing 17x35x10
32	020.0101	Panel screw	74	032.0161	Baffle

75 032.0176 Circlip 471/10
 76 032.0166 Circlip 472/28

77 032.0236 Inner Gear Plate
 78 032.0236 Casing Pin

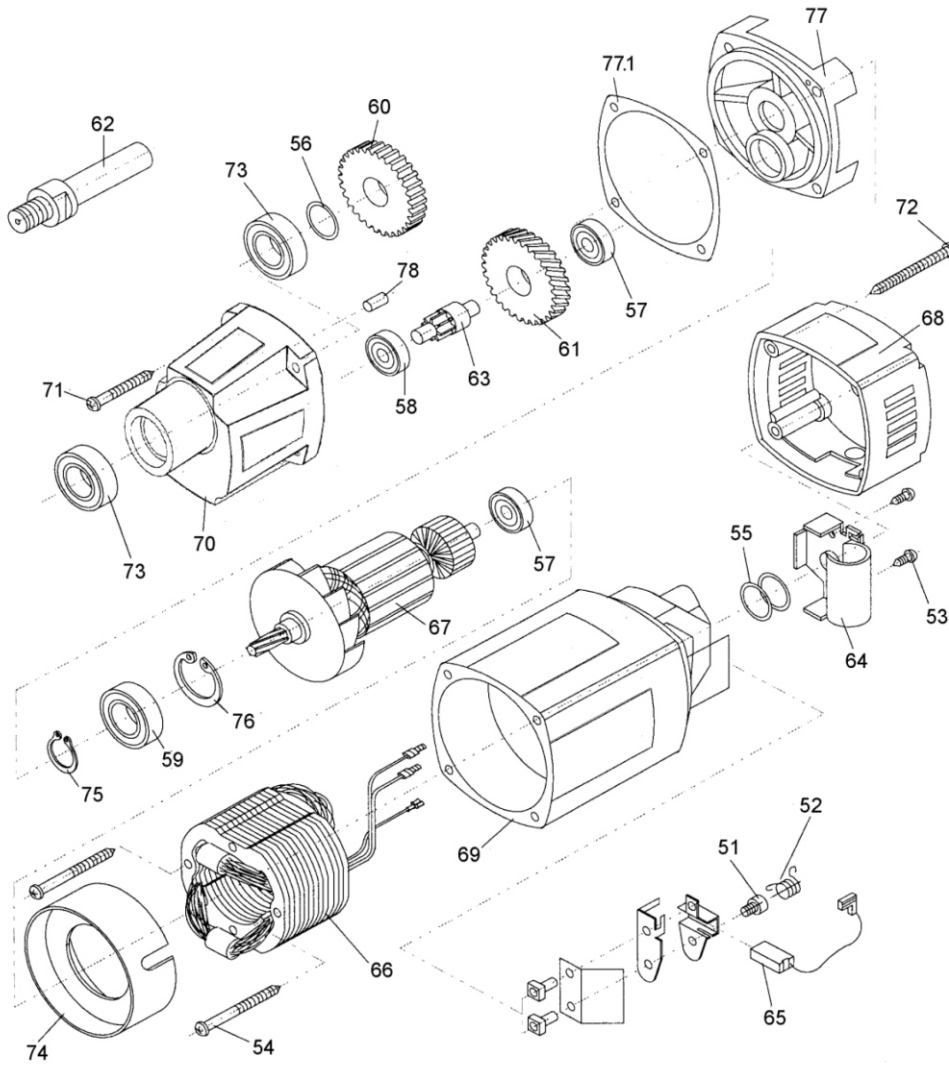


ECO 32

MARINE ENGINEERING

Adres: Yayla Mah. Vatan Cad. MEKA İş Merkezi No: 58 Kat:3 D.16
 Tuzla - İSTANBUL / TURKEY
 Tel: + 90 216 701 23 13 Fax: +90 216 701 23 14 Gsm: +90 532 506 39 59
 web: www.marine-engineering.net

ECO 32



Important notice :

Because of minor changes to our machines it is recommended to provide the framenumber of your machine when ordering spareparts. This number can be found on front of machine at magnetic base and frame. When you have any doubt when ordering spareparts, please contact your supplier before ordering.

MARINE ENGINEERING

Adres: Yayla Mah. Vatan Cad. MEKA İş Merkezi No: 58 Kat:3 D.16
Tuzla - İSTANBUL / TURKEY

Tel: + 90 216 701 23 13 Fax: +90 216 701 23 14 Gsm: +90 532 506 39 59
web: www.marine-engineering.net