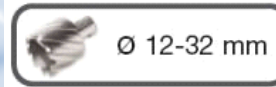
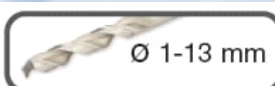


ECO-32 T



ECO-32 T

Freze Uç ile Delme Çapı	12-32 mm
Normal Uç ile Delme Çapı	1-13 mm
Klavuz Çekme	M5-M16 mm
Havşa	10-40 mm
Mil Kalınlığı	19 mm
Elektrik Gücü	230V-AC
Motor Gücü	1050 W
Manyetik Tutma Gücü	1500 kg.
Hız	100-450 dak. -1
Strok	150 mm
Ağırlık	11 kg.



MARINE ENGINEERING

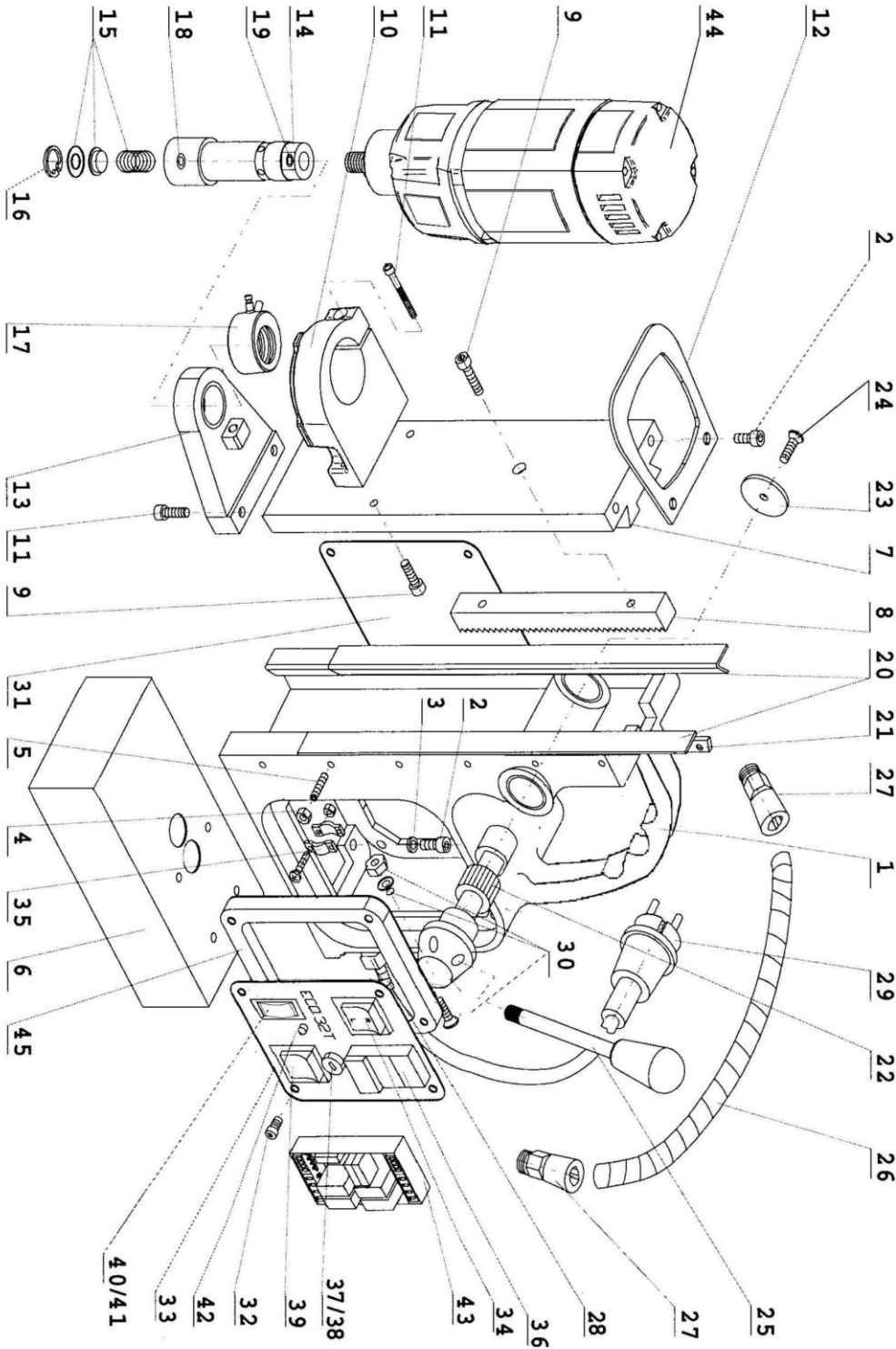
Adres: Yayla Mah. Vatan Cad. MEKA İş Merkezi No: 58 Kat:3 D.16
Tuzla - İSTANBUL / TURKEY

Tel: + 90 216 701 23 13 Fax: +90 216 701 23 14 Gsm: +90 532 506 39 59
web: www.marine-engineering.net

8 - Spareparts & Exploded View

1	020.0056	Frame			
2	020.0106	Screw SSM6x16	60	032.0186	Spindle Gear
3	020.0111	Washer M6	61	032.0226	First Gear
4	020.0096	Setting Nut	62	032.0201	Spindle Drive shaft
5	020.0091	Setting Screw	63	032.0231	Axle
6	020.0051	Magnet for 32T H=48mm	64	032.0131	Adaptor ring Cap
7	032.0011	Slide	65	032.0146	Carbon brush set
8	032.0016	Rack	66	032T.0116	Field 220v
9	020.0156	Screw SSM6x20		032T.0117	Field 110v
10	032.0026	Motorholder	67	032T.0146	Armature 220v
11	020.0146	Screw SSM6x25		032T.0147	Armature 110v
12	032.0041	Top fixing plate 120mm	68	032.0111	End Cover
13	020.0142	Steady	69	032.0241	Housing
14	032T.0032	Spindle	70	032.0206	Gear Casing
15	020.0121	Springset spindle	71	032.0216	Screw BK4,8x38
16	020.0131	Circlip	72	032.0106	Screw BK4,8x50
17	020.0145	Autocoolant Ring	73	032.0196	Bearing 17x35x10
18	020.0136	Fixing Screw M8x8	74	032.0161	Baffle
19	020.0176	Fixing Screw M6x6	75	032.0176	Circlip 471/10
20	020.0086	Brass rail set (stick)	76	032.0166	Circlip 472/28
21	020.0084/4	Pressing strip 4 holes	77	032.0236	Inner Gear Plate
22	020.0061	Capstan Hub assembly	77.1	032.0237	Gasket
23	020.0077	End Plate	78	032.0211	Casing Pin
24	020.0081	End Screw			
25	020.0066	Arm for Capstan			
26	032T.0046	Motorcable 32T			
27	020.0041	Coupling nut motorcable			
28	020.0031	Coupling nut maincable			
29	020.0036	Main Cable			
30	020.0182	Screw+washer+nut			
31	PP.RSEU	Rear plate			
32	032T.0003	Panel screw long			
33	PP.32TEU/2	Front plate			
34	100.0152	L/R Switch (push)			
35	020.0037	Cableclamp			
36	020.0006	On/Off switch			
37	020.0016	Fuse Holder			
38	020.0017	Fuse F2A			
39	020.0011	Magnet Switch			
40+41	032T.0058	Potentiometer complete			
42	032T.0061	LED indicator			
43	032T.0201	Control Unit 220v			
	032T.0202	Control Unit 110v			
44	032T.0101	Motorunit 220v			
	032T.0102	Motorunit 110v			
45	032T.0009	Spacer			
51	032.0136	Screw for spring			
52	032.0141	Spring			
53	032.0116	Screw BK4,2x13			
54	032.0156	Screw BK3,9x60			
55	032.0121	Adaptor ring 22x0,5			
56	032.0191	Adaptor ring			
57	032.0126	Bearing (closed) 8x22x7			
58	032.0221	Bearing 8x22x7			
59	032.0171	Bearing 12x28x8			

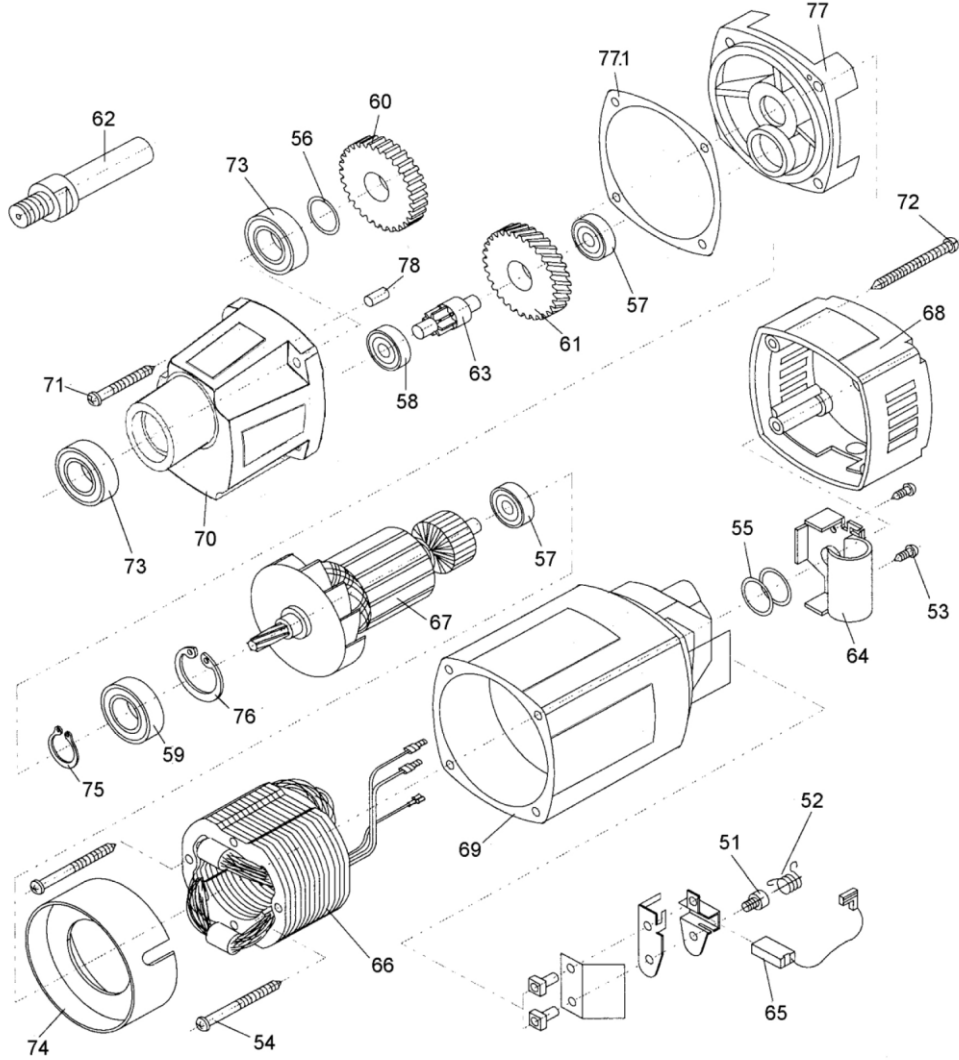
ECO 32-T



MARINE ENGINEERING

Adres: Yayla Mah. Vatan Cad. MEKA İş Merkezi No: 58 Kat:3 D.16
Tuzla - İSTANBUL / TURKEY
Tel: + 90 216 701 23 13 Fax: +90 216 701 23 14 Gsm: +90 532 506 39 59
web: www.marine-engineering.net

ECO.32-T



Important notice :

Because of minor changes to our machines it is recommended to provide the framenumber of your machine when ordering spareparts. This number can be found on front of machine at magnetic base and frame. When you have any doubt when ordering spareparts, please contact your supplier before ordering.

MARINE ENGINEERING

Adres: Yayla Mah. Vatan Cad. MEKA İş Merkezi No: 58 Kat:3 D.16
Tuzla - İSTANBUL / TURKEY
Tel: + 90 216 701 23 13 Fax: +90 216 701 23 14 GSM: +90 532 506 39 59
web: www.marine-engineering.net