

ECO-40/2



ECO-40/2

Freze Uç ile Delme Çapı	12-40 mm
Normal Uç ile Delme Çapı	1-16 mm
Mil Kalınlığı	19 mm
Elektrik Gücü	230V-AC
Motor Gücü	1050W
Manyetik Tutma Gücü	1500 kg.
Hız (1)	430 dak. -1
Hız (2)	760 dak. -1
Strok	150 mm
Ağırlık	12 kg.



MARINE ENGINEERING

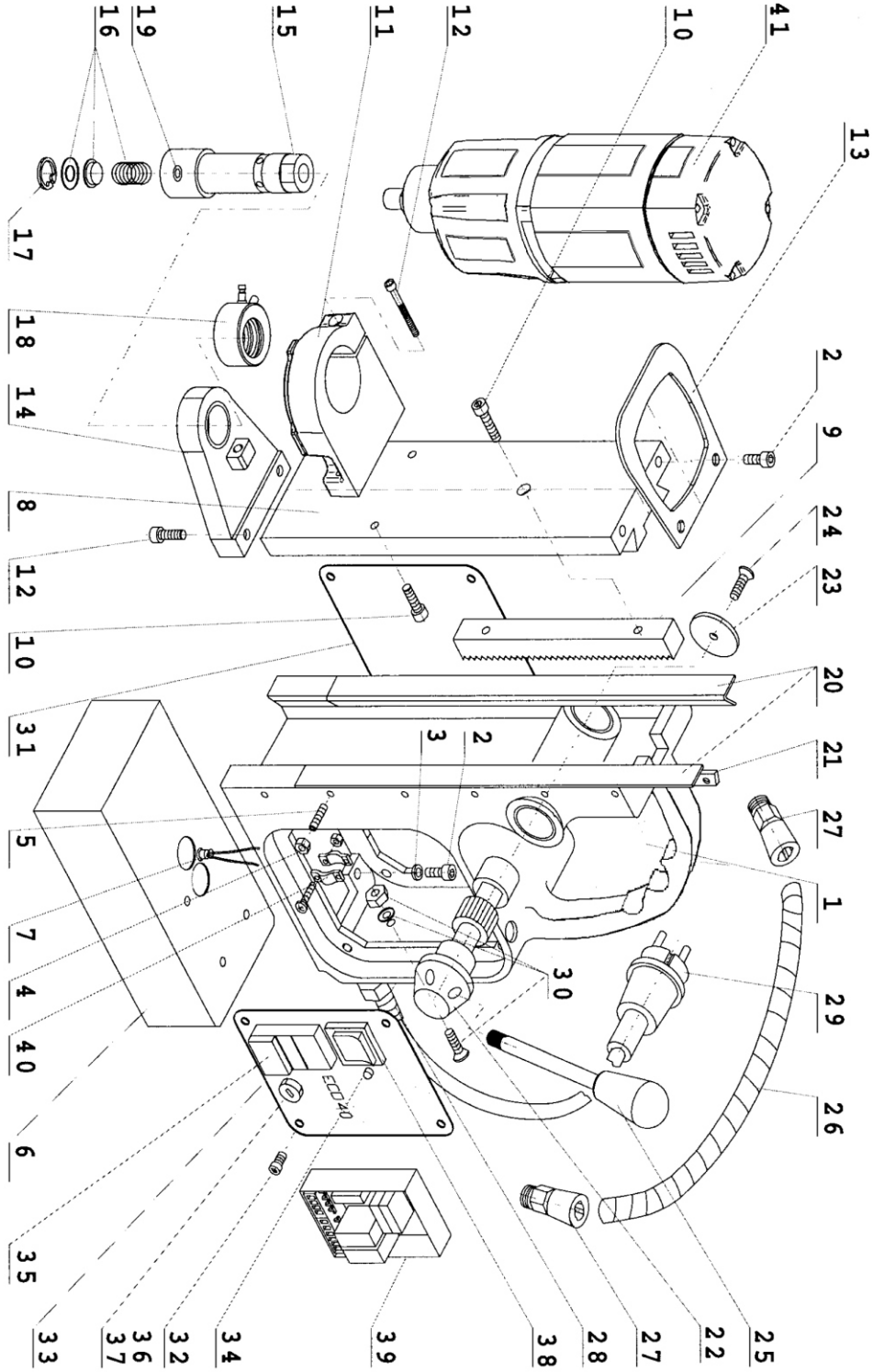
Adres: Yayla Mah. Vatan Cad. MEKA İş Merkezi No: 58 Kat:3 D.16
Tuzla - İSTANBUL / TURKEY

Tel: + 90 216 701 23 13 Fax: +90 216 701 23 14 Gsm: +90 532 506 39 59
web: www.marine-engineering.net

6 - Spare parts & Exploded view of ECO.40

1	020.0056	Frame		020.0002	Control Unit 110v
2	020.0106	Screw SSM6x16	40	020.0037	Cableclamp
3	020.0111	Washer M6	41	040.0101	Motorunit 220v
4	020.0096	Setting Nut		040.0102	Motorunit 110v
5	020.0091	Setting Screw	51	032.0136	Screw for spring
	020.0098	Setting set (6x No. 4+5)	52	032.0141	Spring
6	020.0052	Magneet	53	032.0116	Screw BK4,2x13
7	020.0201	Sensor	54	032.0156	Screw BK3,9x60
8	040.0011	Slide	55	032.0121	Adaptor ring 22x0,5
9	032.0016	Rack	56	040.0181	Adaptor ring 24x0,2
10	020.0156	Screw SSM6x20	57	040.0161	Needle Bearing
11	032.0026	Motorholder	58	032.0126	Bearing 8x22x7 (closed)
12	020.0146	Screw SSM6x25	59	032.0221	Bearing 8x22x7
13	040.0041	Top fixing plate 110mm	60	032.0171	Bearing 12x28x8
14	020.0142	Steady	61	040.0171	Gear 34/28
15	020.0116	Spindle	62	040.0251	First Gear
16	020.0121	Springset spindle	63	040.0176	Spindle Gear
17	020.0131	Circlip	64	040.0191	Spindle drive shaft
18	020.0145	Autocoolant Ring	65	040.0231	Gear shaft
19	020.0136	Fixing Screw M8x8	66	040.0246	Axle
20	020.0086	Brass rail set (stick)	67	032.0131	Adaptor ring cap
21	020.0084/4	Pressing Strip 4 holes	68	032.0146	Carbon brush set
22	020.0061	Capstan Hub assembly	69	032.0111	End cover
23	020.0077	End Plate	70	032.0241	Housing
24	020.0081	End Screw	71	032.0106	Screw BK4,8x50
25	020.0066	Arm for Capstan	72	040.0196	Bearing 15x35x11
26	020.0046	Motorcable	73	032.0161	Baffle
27	020.0041	Coupling nut motorcable	74	040.0266	Armature 220v
28	020.0031	Coupling nut maincable		040.0267	Armature 110v
29	020.0036	Main Cable	75	040.0276	Field 220v
30	020.0182	Screw+washer+nut		040.0277	Field 110v
31	PP.RSEU	Rear plate	76	040.0241	Gear casing
32	020.0101	Panel screw	77	032.0166	Circlip 472/28/1,2
33	PP.40EU	Front plate	78	040.0146	Inner gear plate
34	020.0206	Sensor LED + cable	78.1	032.0237	Gasket
35	020.0006	On/Off switch	79	040.0301	Key
36	020.0016	Fuse Holder	80	032.0211	Casing pin
37	020.0017	Fuse F2A	81	040.0291	Clutch shaft
38	020.0011	Magnet Switch	82	040.0286	Gear switch
39	020.0001	Control Unit 220v	83	032.0171	Bearing 12x28x8

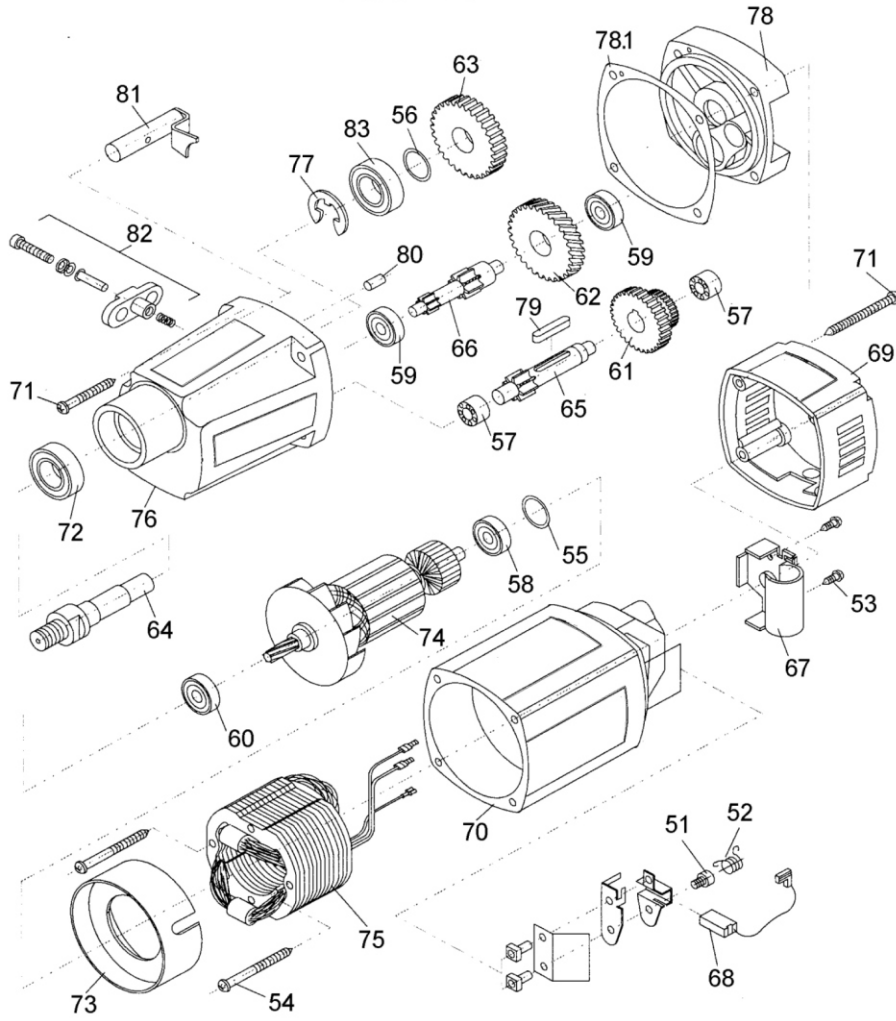
ECO.40



MARINE ENGINEERING

Adres: Yayla Mah. Vatan Cad. MEKA İş Merkezi No: 58 Kat:3 D.16
Tuzla - İSTANBUL / TURKEY
Tel: + 90 216 701 23 13 Fax: +90 216 701 23 14 Gsm: +90 532 506 39 59
web: www.marine-engineering.net

ECO 40



Important notice :

Because of minor changes to our machines it is recommended to provide the framenumber of your machine when ordering spareparts. This number can be found on front of machine at magnetic base and frame. When you have any doubt when ordering spareparts, please contact your supplier before ordering.

MARINE ENGINEERING

Adres: Yayla Mah. Vatan Cad. MEKA İş Merkezi No: 58 Kat:3 D.16
Tuzla - İSTANBUL / TURKEY

Tel: + 90 216 701 23 13 Fax: +90 216 701 23 14 Gsm: +90 532 506 39 59
web: www.marine-engineering.net