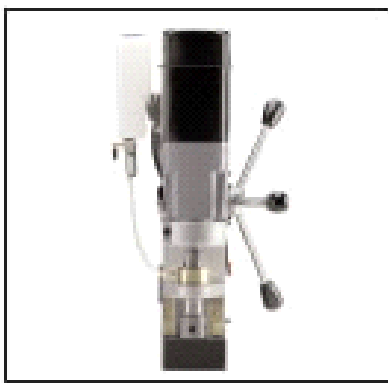


# ECO-50

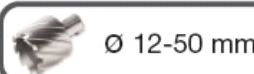


## ECO-50

Freze Uç ile Delme Çapı	12-50 mm
Normal Uç ile Delme Çapı	1-23 mm
Mil Kalınlığı	MC 2-19 mm
Elektrik Gücü	230V-AC
Motor Gücü	1150 W
Manyetik Tutma Gücü	1850 kg.
Hız (1)	250 dak. -1
Hız (2)	450 dak. -1
Strok	150 mm
Ağırlık	13 kg.



Ø 1-23 mm



Ø 12-50 mm



## MARINE ENGINEERING

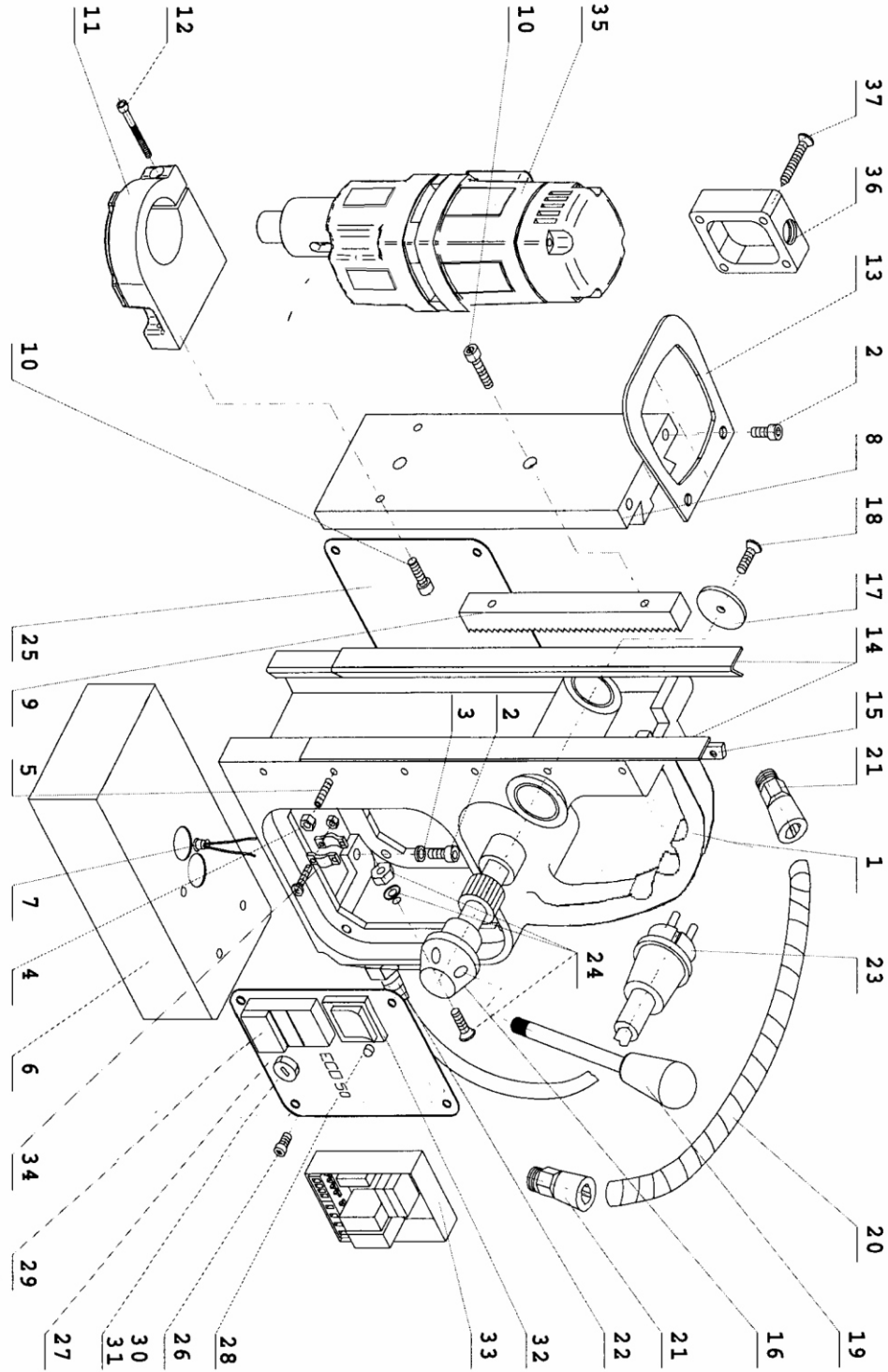
Adres: Yayla Mah. Vatan Cad. MEKA İş Merkezi No: 58 Kat:3 D.16  
Tuzla - İSTANBUL / TURKEY

Tel: + 90 216 701 23 13 Fax: +90 216 701 23 14 Gsm: +90 532 506 39 59  
web: www.marine-engineering.net



## **6 - Spare parts & Exploded view of ECO.50**

1	020.0056	Frame	37	050.0587	Screw PKVZ4,8x35
2	020.0106	Screw SSM6x16	51	032.0156	Screw 3,9x60
3	020.0111	Washer M6	52	050.0182	Adaptor ring 22x0,2
4	020.0096	Setting Nut	53	050.0161	Needle bearing
5	020.0091	Setting Screw	54	032.0221	Bearing 8x22x7
6	050.0611	Magnet Hi/Lo	55	032.0171	Bearing 12x28x8
7	020.0201	Sensor	56	050.0251	First gear
8	050.0011	Slide	57	050.0231	Axle
9	032.0016	Rack	58	050.0246	Gear shaft
10	020.0156	Screw SSM6x20	59	050.0191	Spindle drive shaft
11	050.0141	Motorholder	60	050.0371	Carbon brush holder
12	020.0146	Screw SSM6x25	61	050.0147	Carbon brush set
13	040.0041	Top fixing plate 110mm	62	050.0112	Screw 4,8x45
14	020.0086	Brass rail set (stick)	63	032.0106	Screw 4,8x50
15	020.0084/4	Pressing strip 4 holes	64	050.0116	Adaptor ring rubber 22x2,5
16	020.0061	Capstan hub assembly	65	050.0466	Bearing 20x37x9
17	020.0077	End plate	66	050.0221	Bearing 17x40x12
18	020.0081	End screw	67	050.0177	Spindle gear
19	020.0066	Arm for Capstan	68	050.0171	Gear 34/40
20	020.0046	Motorcable	69	050.0261	Baffle
21	020.0041	Coupling nut for motorcable	70	050.0181	Armature 220v
22	020.0031	Coupling nut for maincable		050.0186	Armature 110v
23	020.0036	Main Cable	71	050.0276	Field 220v
24	020.0182	Screw+washer+nut		050.0277	Field 110v
25	PP.RSEU	Rear plate	72	050.0111	End cover
26	020.0101	Panel screw M4x8	73	050.0142	Housing
27	PP.50EU	Front plate	74	050.0176	Circlip 471/10
28	020.0206	Sensor LED+cable	75	050.0426	Circlip 471/15
29	020.0006	On/Off switch	76	050.0166	Circlip 472/28
30	020.0016	Fuse holder	77	050.0236	Inner gear plate
31	020.0017	Fuse F2A	77.1	050.0207	Gasket
32	020.0011	Magnet switch	78	050.0206	Gear casing
33	020.0001	Control Unit 220v	79	050.0431	Key for spindle
	020.0002	Control Unit 110v	80	050.0301	Key
34	020.0037	Cable clamp	81	032.0211	Casing pin
35	050.0101	Motorunit 220v	82	050.0291	Clutch shaft
	050.0102	Motorunit 110v	83	040.0286	Gear switch
36	050.0586	Cable housing	84	050.0211	Plate for gear casing



## ECO 50

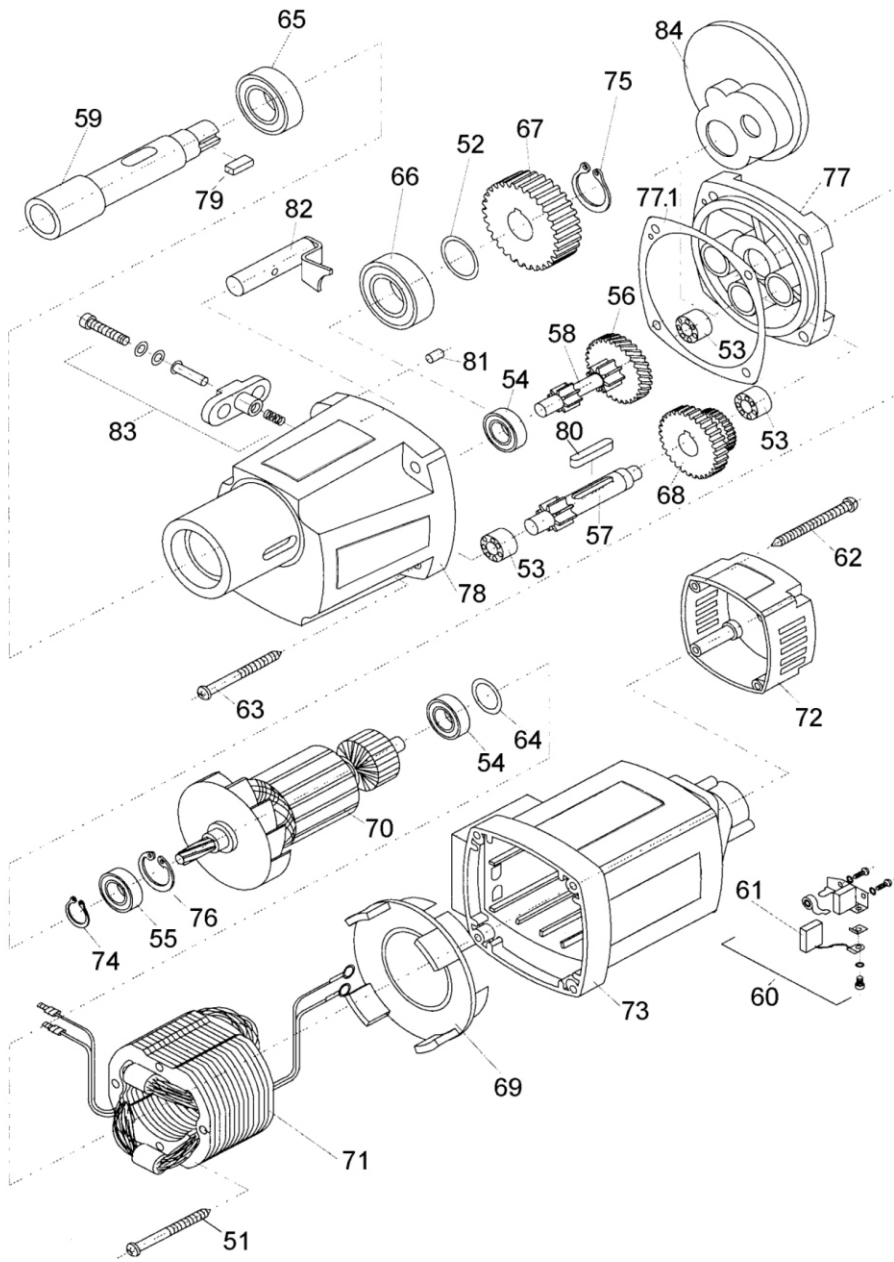
## MARINE ENGINEERING

Adres: Yayla Mah. Vatan Cad. MEKA İş Merkezi No: 58 Kat:3 D.16  
Tuzla - İSTANBUL / TURKEY

Tel: + 90 216 701 23 13 Fax: +90 216 701 23 14 Gsm: +90 532 506 39 59  
web: [www.marine-engineering.net](http://www.marine-engineering.net)



## ECO 50



### Important notice :

Because of minor changes to our machines it is recommended to provide the framenumber of your machine when ordering spareparts. This number can be found on front of machine at magnetic base and frame. When you have any doubt when ordering spareparts, please contact your supplier before ordering.

## MARINE ENGINEERING

Adres: Yayla Mah. Vatan Cad. MEKA İş Merkezi No: 58 Kat:3 D.16  
Tuzla - İSTANBUL / TURKEY

Tel: + 90 216 701 23 13 Fax: +90 216 701 23 14 Gsm: +90 532 506 39 59  
web: [www.marine-engineering.net](http://www.marine-engineering.net)