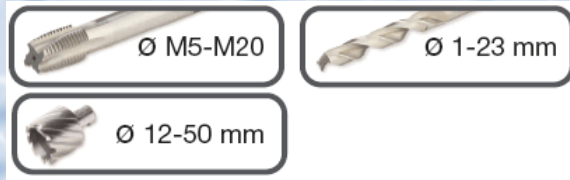


ECO-50T



ECO-50T

Freze Uç ile Delme Çapı	12-50 mm
Normal Uç ile Delme Çapı	1-23 mm
Klavuz Çekme	M5-M20 mm
Havşa	50 mm
Mil Kalınlığı	MC 2-19 mm
Elektrik Gücü	230V- AC
Motor Gücü	1150 W
Manyetik Tutma Gücü	1850 kg.
Hız (1)	100-250 dak.-1
Hız (2)	180-580 dak.-1
Strok	150 mm.
Ağırlık	13 kg.



MARINE ENGINEERING

Adres: Yayla Mah. Vatan Cad. MEKA İş Merkezi No: 58 Kat:3 D.16
Tuzla - İSTANBUL / TURKEY

Tel: + 90 216 701 23 13 Fax: +90 216 701 23 14 Gsm: +90 532 506 39 59
web: www.marine-engineering.net

6 - Spare parts & Exploded view of ECO.50

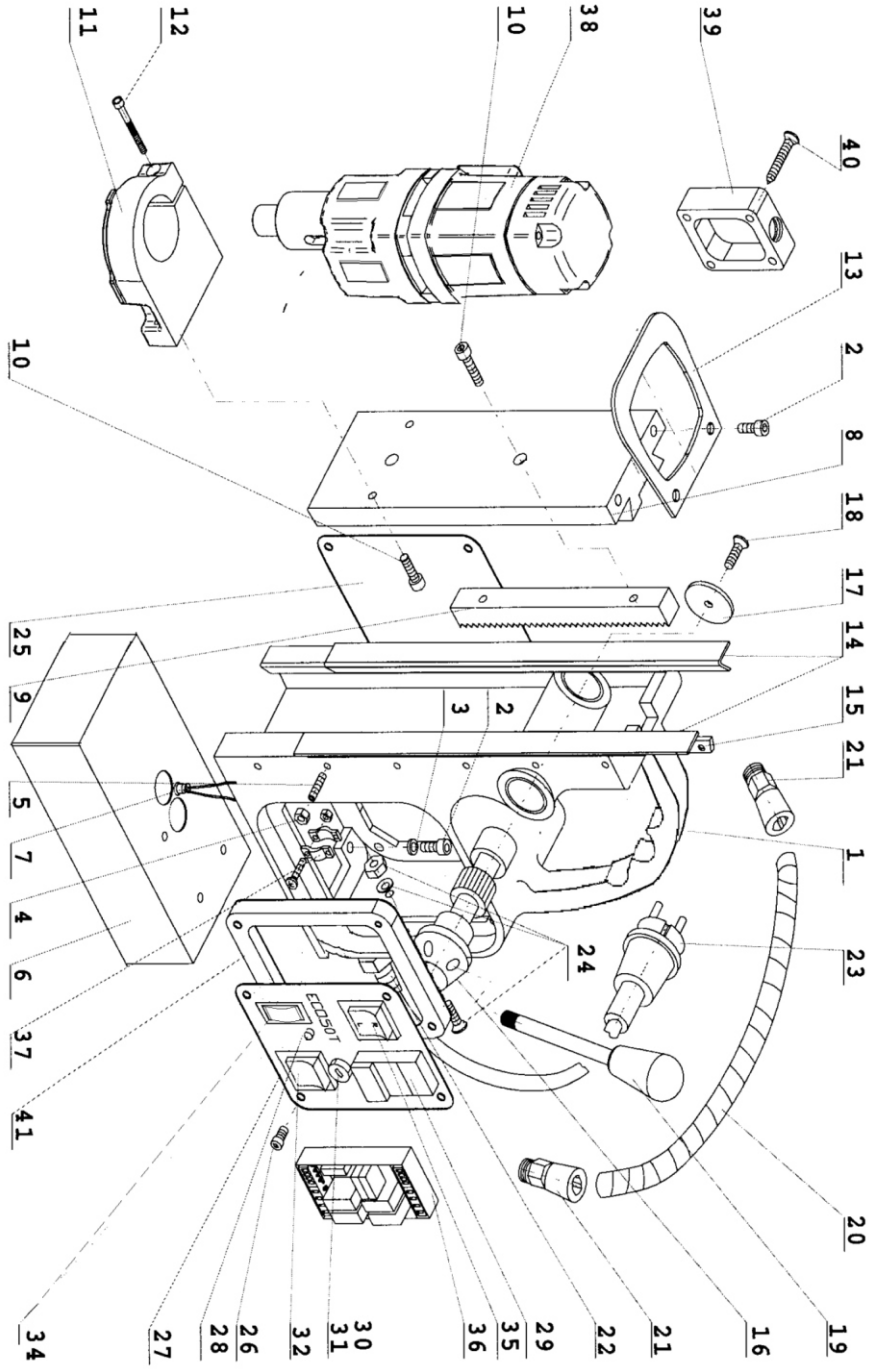
1	020.0056	Frame	51	032.0156	Screw 3,9x60
2	020.0106	Screw SSM6x16	52	050.0182	Adaptor ring 22x0,2
3	020.0111	Washer M6	53	050.0161	Needle bearing
4	020.0096	Setting Nut	54	032.0221	Bearing 8x22x7
5	020.0091	Setting Screw	55	032.0171	Bearing 12x28x8
6	050.0611	Magnet Hi/Lo	56	050.0251	First gear
7	020.0201	Sensor	57	050.0231	Axle
8	050.0011	Slide	58	050.0246	Gear shaft
9	032.0016	Rack	59	050.0191	Spindle drive shaft
10	020.0156	Screw SSM6x20	60	050.0371	Carbon brush holder
11	050.0141	Motorholder	61	050.0147	Carbon brush set
12	020.0146	Screw SSM6x25	62	050T.0180	Ringmagnet
13	040.0041	Top fixing plate 110mm	63	050.0112	Screw 4,8x45
14	020.0086	Brass rail set (stick)	64	032.0106	Screw 4,8x50
15	020.0084/4	Pressing Strip 4 holes	65	050T.0332	Screw 2,8x12
16	020.0061	Capstan hub assembly	66	050.0116	Adaptor ring rubber 22x2,5
17	020.0077	End plate	67	050.0466	Bearing 20x37x9
18	020.0081	End screw	68	050.0221	Bearing 17x40x12
19	020.0066	Arm for Capstan	69	050.0177	Spindle gear
20	020.0046	Motorcable	70	050.0171	Gear 34/40
21	020.0041	Coupling nut for motorcable	71	050.0261	Baffle
22	020.0031	Coupling nut for maincable	72	050.0111	End cover
23	020.0036	Main Cable	73	050.0142	Housing
24	020.0182	Screw+washer+nut	74	050.0176	Circlip 471/10
25	PP.RSEU	Rear plate	75	050.0246	Circlip 471/15
26	020.0101	Panel screw M4x8 (rearplate)	76	050.0166	Circlip 472/28
	032T.0003	Panel screw long M4x20 (frontplate)	77	050.0236	Inner gear plate
27	PP.50TEU/2	Front plate	77.1	050,0207	Gasket for gearcasing
28	020.0206	Sensor LED+cable	78	050T.0181	Armature 220v
29	020.0006	On/Off switch		050T.0186	Armature 110v
30	020.0016	Fuse holder	79	050T.0276	Field 220v
31	020.0017	Fuse F2A		050T.0277	Field 110v
32	020.0011	Magnet switch	80	050.0206	Gear casing
34	032T,0058	Potentiometer	81	050.0431	Key for spindle
35	100.0152	L/R switch	82	050.0301	Key
36	100.0002	Control Unit Hi/Lo 220v	83	032.0211	Casing pin
	100.0003	Control Unit Hi/Lo 110v	84	050.0291	Clutch shaft
37	020.0037	Cable clamp	85	040.0286	Gear switch
38	050T.0101	Motorunit 220v	86	050T.0333	Speed Control Unit 220v
	050T.0102	Motorunit 110v		050T.0334	Speed Control Unit 110v
39	050.0586	Cable housing	87	050.0211	Plate for gear casing
40	050. 0587	Screw PKVZ4,8x35			

MARINE ENGINEERING

Adres: Yayla Mah. Vatan Cad. MEKA İş Merkezi No: 58 Kat:3 D.16
Tuzla - İSTANBUL / TURKEY

Tel: + 90 216 701 23 13 Fax: +90 216 701 23 14 Gsm: +90 532 506 39 59
web: www.marine-engineering.net

ECO 50T

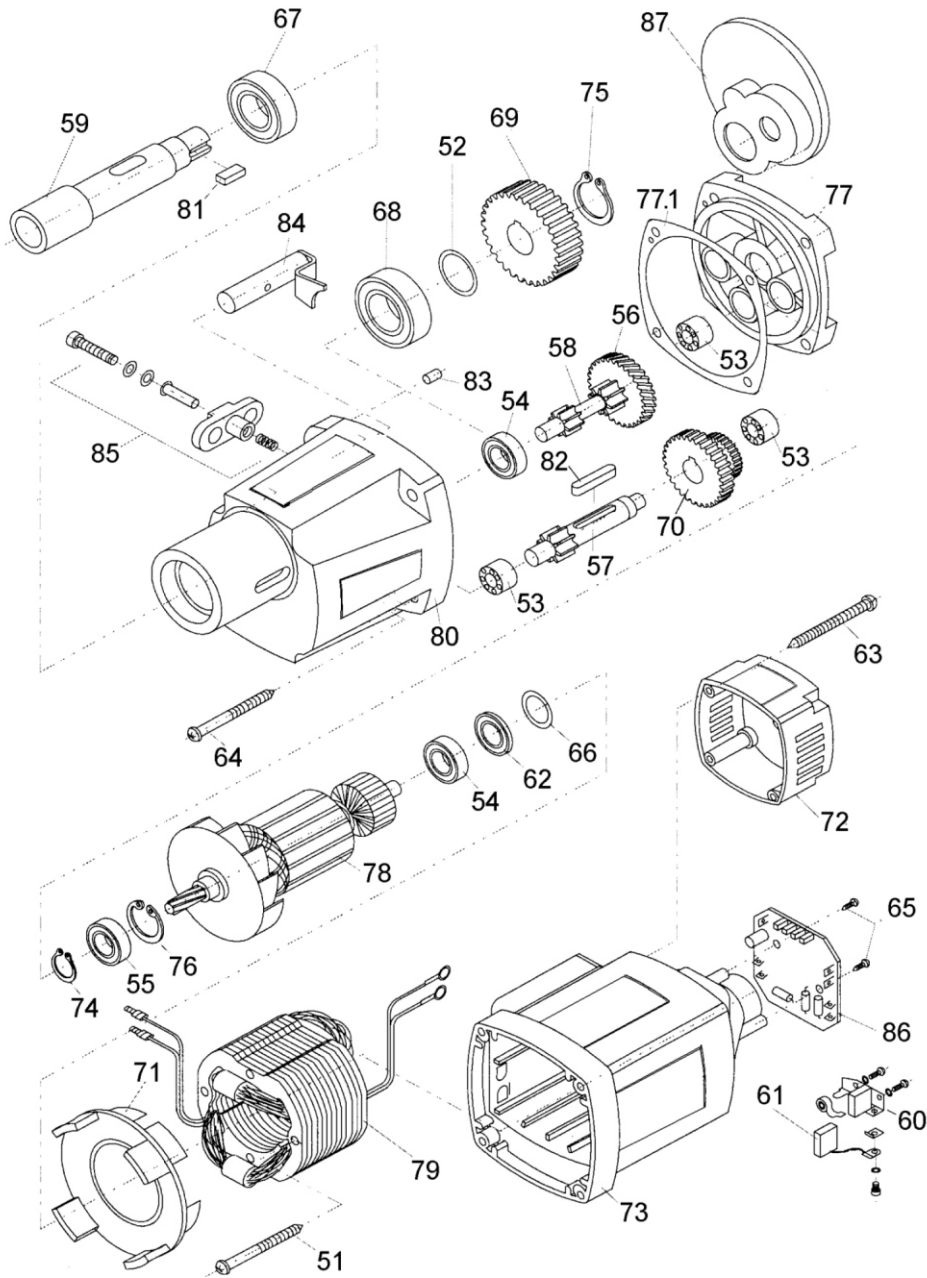


MARINE ENGINEERING

Adres: Yayla Mah. Vatan Cad. MEKA İş Merkezi No: 58 Kat:3 D.16
Tuzla - İSTANBUL / TURKEY

Tel: + 90 216 701 23 13 Fax: +90 216 701 23 14 Gsm: +90 532 506 39 59
web: www.marine-engineering.net

ECO 50T



Important notice :

Because of minor changes to our machines it is recommended to provide the framenumber of your machine when ordering spareparts. This number can be found on front of machine at magnetic base and frame. When you have any doubt when ordering spareparts, please contact your supplier before ordering.

MARINE ENGINEERING

Adres: Yayla Mah. Vatan Cad. MEKA İş Merkezi No: 58 Kat:3 D.16
Tuzla - İSTANBUL / TURKEY

Tel: + 90 216 701 23 13 Fax: +90 216 701 23 14 Gsm: +90 532 506 39 59
web: www.marine-engineering.net