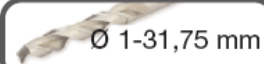


# ECO-80



## ECO-80

Freze Uç ile Delme Çapı	12-80 mm
Normal Uç ile Delme Çapı	1-31,75 mm
Mil Kalınlığı	MT 3-19 mm
Elektrik Gücü	230V-AC
Motor Gücü	1700 W
Manyetik Tutma Gücü	3200 kg.
Hız (1-2-3-4)	100/175/245/385 dak.-1
Strok	255 mm
Ağırlık	26 kg.



## MARINE ENGINEERING

Adres: Yayla Mah. Vatan Cad. MEKA İş Merkezi No: 58 Kat:3 D.16  
Tuzla - İSTANBUL / TURKEY

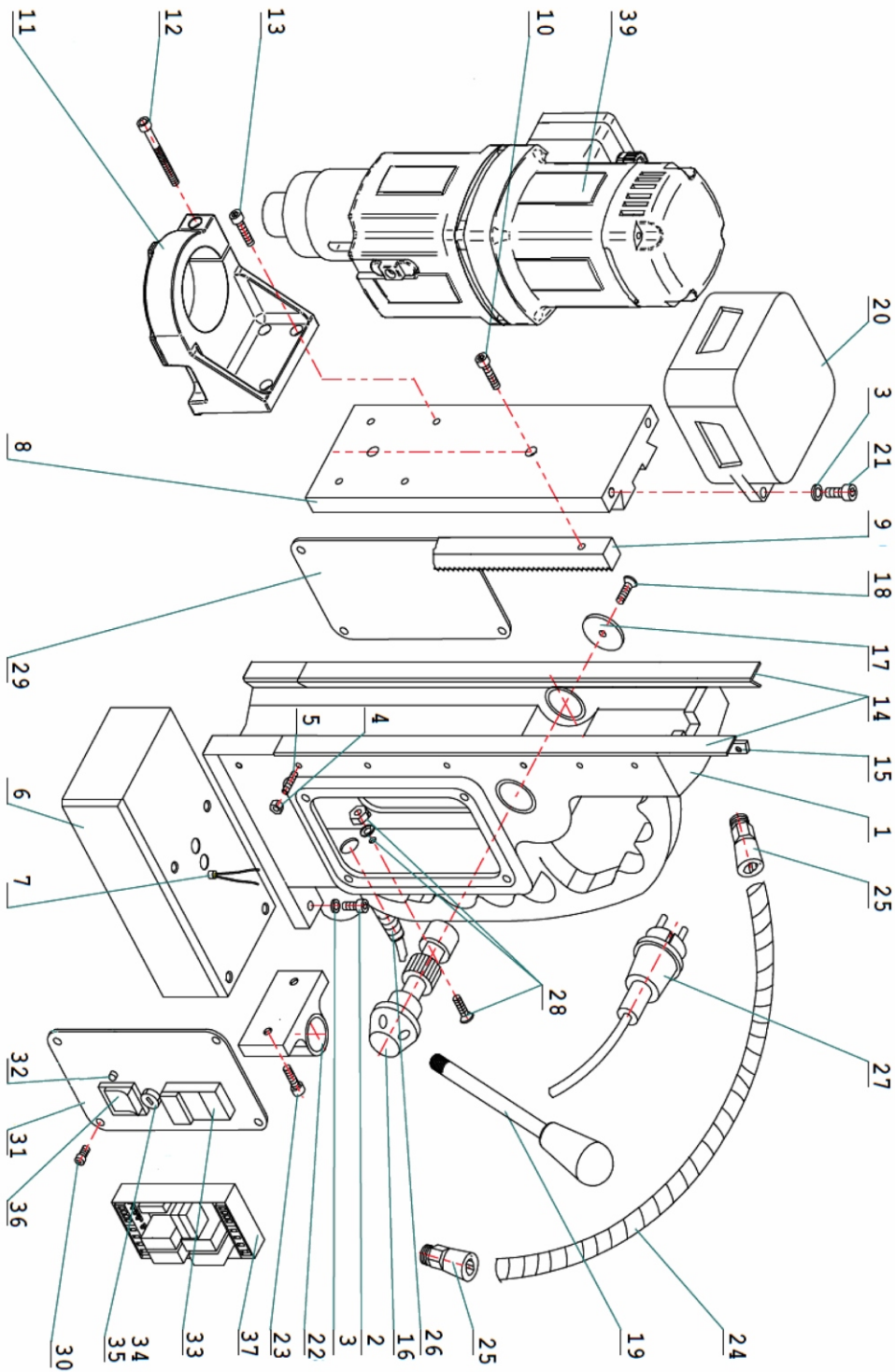
Tel: + 90 216 701 23 13 Fax: +90 216 701 23 14 Gsm: +90 532 506 39 59  
web: www.marine-engineering.net



## **6 - Spare parts & Exploded view**

1	100.0001	Frame	62	080.4312	Friction Clutch complete
2	100.0006	Screw	63	100.0372	Carbon Brush Holder
3	100.0031	Washer M8	64	080.0381	Field 230v
4	020.0096	Setting Nut			Field 110v
5	020.0138	Setting Screw		080.0382	
6	100.0038	Magneet	65	100.4388	Housing
7	020.0201	Sensor	66	100.0391	Baffle
8	080.0041	Slide	67	080.4401	Inner Gear Plate
9	100.0076	Rack	68	100.0458	Gasket
10	100.0066	Screw	69	040.0161	Needle Bearing
11	100.0046	Motorholder	70	080.4320	Double Gear 2
12	100.0071	Screw	71	080.4321	Axle 1
13	020.0106	Screw	72	100.0426	Circlip
14	100.0081	Brass rail set (stick)	73	080.4431	Spindle Key
15	100.0084	Pressing strip	74	080.4324	Spindle Gear
16	100.0101	Capstan hub assembly	75	080.4411	Adaptor Ring
17	020.0077	End Plate	76	100.0446	Bearing
18	020.0081	Ens Screw	77	100.0451	Circlip
19	100.0116	Arm for Capstan	78	080.4326	Gear Casing
20	100.0122	Motor Fixing Cap	79	080.4461	Spindle Drive Shaft
21	100.0126	Screw SSM8x35	80	100.0466	Bearing
22	020.0151	Magnet spring ball	81	100.0471	Circlip
23	020.0106	Screw SSM6x16	82	080.4476	Adaptor Ring
24	020.0136	Motorcable	83	100.0481	Needle Bearing
		Coupling nut for	84	080.4486	Washer
25	020.0041	motorcable	85	080.4491	Double Gear 1
		Coupling nut for	86	080.4496	Key
26	020.0031	maincable	87	080.4332	Axle 2
27	020.0036	Main Cable (euro)	88	080.0351	Bearing
28	020.0182	Screw+washer+nut	89	080.4334	Axle 3
29	PP.RLEU	Rear plate	90	080.4336	Clutch Shaft 2
30	020.0101	Panel screw	92	080.4526	Key 3 (L)
31	PP.80/4EU	Front plate	93	080.4621	Plate for Gear Casing
32	020.0206	Sensor LED+cable	94	080.4342	Clutch Shaft 1
33	020.0006	On/Off Switch	95	040.0286	Gear Switch
34	020.0016	Fuse holder	96	080.4344	First Gear
35	020.0017	Fuse F2A	97	100.4346	Cylinder
36	020.0011	Magnet Switch	98	100.4348	Shell 25
37	020.0001	Control Unit 220v	99	100.4350	Nut
	020.0002	Control Unit 110v	99A	100.4351	Washer
	080.0110	Control Unit 30A 110v	99B	100.4338	Friction Disk 1
38	020.0037	Cable clamp	99C	100.4340	Brass Disk 1
39	080.0001	Motorunit 1700W / 220v	99D	100.4349	Brass Disk 2
	080.0002	Motorunit 1700W / 110v	99E	100.4353	Friction Disk 2
			100	100.4352	Shell 28
			101	100.0581	Circlip
51	100.0306	Screw	102	080.0576	Bearing
52	100.0459	Screw	103	100.0571	Circlip
53	080.0318	Armature 230v	109	080.0661	Cable Housing
	080.0319	Armature 110v	110	100.0549	Casing Pin
54	100.0322	End Cover	111	100.0617	Screw 6x45
57	100.0346	Rubber Fitting Ring			
60	100.0506	Bearing			
61	100.0368	Carbon Brush set			

# ECO.80/4

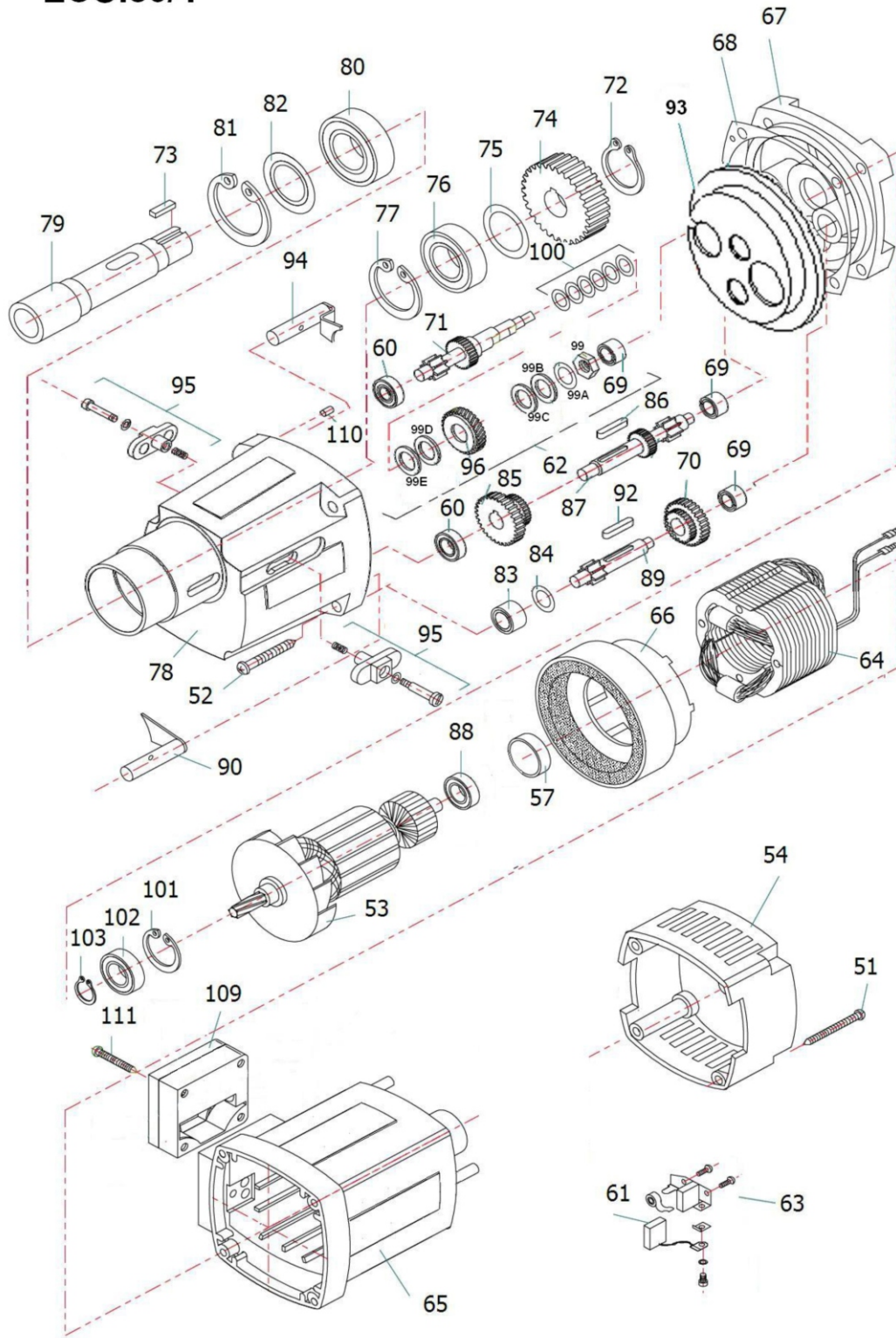


## MARINE ENGINEERING

Adres: Yayla Mah. Vatan Cad. MEKA İş Merkezi No: 58 Kat:3 D.16  
Tuzla - İSTANBUL / TURKEY  
Tel: + 90 216 701 23 13 Fax: +90 216 701 23 14 Gsm: +90 532 506 39 59  
web: [www.marine-engineering.net](http://www.marine-engineering.net)



## ECO.80/4



## MARINE ENGINEERING

Adres: Yayla Mah. Vatan Cad. MEKA İş Merkezi No: 58 Kat:3 D.16  
Tuzla - İSTANBUL / TURKEY  
Tel: + 90 216 701 23 13 Fax: +90 216 701 23 14 Gsm: +90 532 506 39 59  
web: [www.marine-engineering.net](http://www.marine-engineering.net)