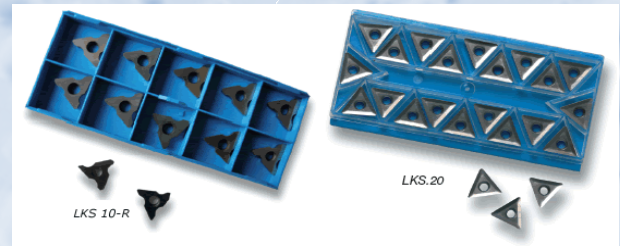
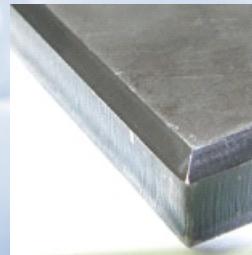
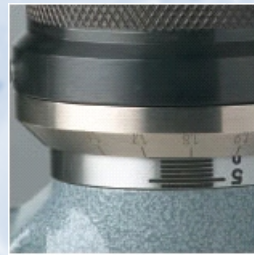
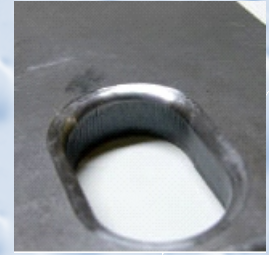
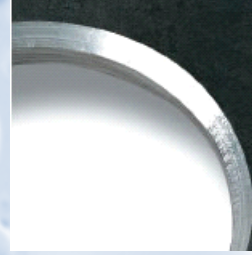
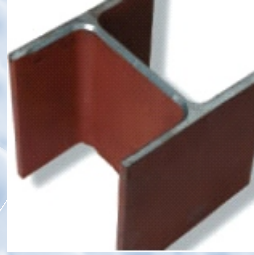


# LKF - 450/2 KAYNAK AĞZI AÇMA MAKİNESİ



<b>LKF - 450/2</b>	
Motor / Voltaj	230V- AC
Motor Gücü	1100W
Dönüş Hızı	3000 - 6000 dak./1
İlerleme	Manuel
Kesme Derinliği	30° 0 - 7 mm 45° 0 - 8 mm
Ağırlık	4,5 Kg



## MARINE ENGINEERING

Adres: Yayla Mah. Vatan Cad. MEKA İş Merkezi No: 58 Kat:3 D.16  
Tuzla - İSTANBUL / TURKEY

Tel: + 90 216 701 23 13 Fax: +90 216 701 23 14 Gsm: +90 532 506 39 59  
web: www.marine-engineering.net



Drawing	Art. nr.	Description
1	LKF.2001	Flat head Screw
2	LKF.2002	Support Deck Plate
3	LKF.2003	Support Deck Body (hole 40,8mm)
	* LKF.2003/2	Support Deck Body (hole 41,8mm)
4	LKF.2004	Lock Knob
5	LKF.2005	Dial Ring
6	LKF.2006	Set Screw
7	LKF.2007	O-Ring
8	LKF.2008	Inner Support Barrel
	* LKF.2008/2	Inner Support Barrel (2 holes)
9	LKF.2009	Set Screw
10	LKF.2010	Gear Case
11	LKF.2011	Screw
12	LKF.2012	Screw
13	LKF.2013	Cap Bolt
14	LKF.2014	Handle Frame Right
15	LKF.2015	Auxiliary Handle Grip
16	LKF.2016	Handle Frame Right
17	LKF.2017	Spindle
	* LKF.2017/2	Spindle (hole)
18	LKF.2018	Woodruff Key
19	LKF.2019	Bearing
20	LKF.2020	Outside Circlip
21	LKF.2021	Inside Circlip
22	LKF.2022	Spindle Gear
23	LKF.2023	Bearing
24	LKF.2024	Buffer
25	LKF.2025	Gear Plate
26	LKF.2026	Bearing
27	LKF.2027	Outside Circlip
28	LKF.2028	Armature 230v
	LKF.2028-1	Armature 115V
29	LKF.2029	Screw
30	LKF.2030	Field (stator) 230v
	LKF.2030-1	Field (stator) 115V
31	LKF.2031	Motor Housing
32	LKF.2032	Brush Cap
33	LKF.2033	Carbon Brush set
34	LKF.2034	Brush Holder
35	LKF.2035	Screw
36	LKF.2036	Speed Control Unit 220v
	LKF.2055	Speed Control Unit 110v
36.1	LKF.2036-1	Nut
37	LKF.2037	Speed Control wheel

## MARINE ENGINEERING

Adres: Yayla Mah. Vatan Cad. MEKA İş Merkezi No: 58 Kat:3 D.16  
Tuzla - İSTANBUL / TURKEY

Tel: + 90 216 701 23 13 Fax: +90 216 701 23 14 Gsm: +90 532 506 39 59  
web: www.marine-engineering.net

38	LKF.2038	Wire Connector
39	LKF.2039	Switch
40	LKF.2040	Cord clip
41	LKF.2041	Screw
42	LKF.2042	Cord Armor
43	LKF.2043	Powe Supply Cord
44	LKF.2044	Handle Half
45	LKF.2045	Impeller Nut
46	LKF.2046	Impeller
47	LKF.2047	Impeller Bearing
48	LKF.1201	Milling Head 30° (incl. 45, 46, 47)
	LKF.1202	Milling Head 45° (incl. 45, 46, 47)
	LKF.1203	Milling Head R2,5 (incl. 45, 46, 47)
49	LKS.20	Cutting plate
	LKS.20-R	Cutting Plate R2,5
50	LKF.2050	Torx Fixing screw
51	LKF.2051	Torx Wrench T9
52	LKF.2052	Hook Spanner Wrench
53	LKF.2053	Open End Wrench
	* LKF.2053/2	Lock pin
54	LKF.2055	Speed Control Unit 110v

\* For models with 2 holes and lock pin

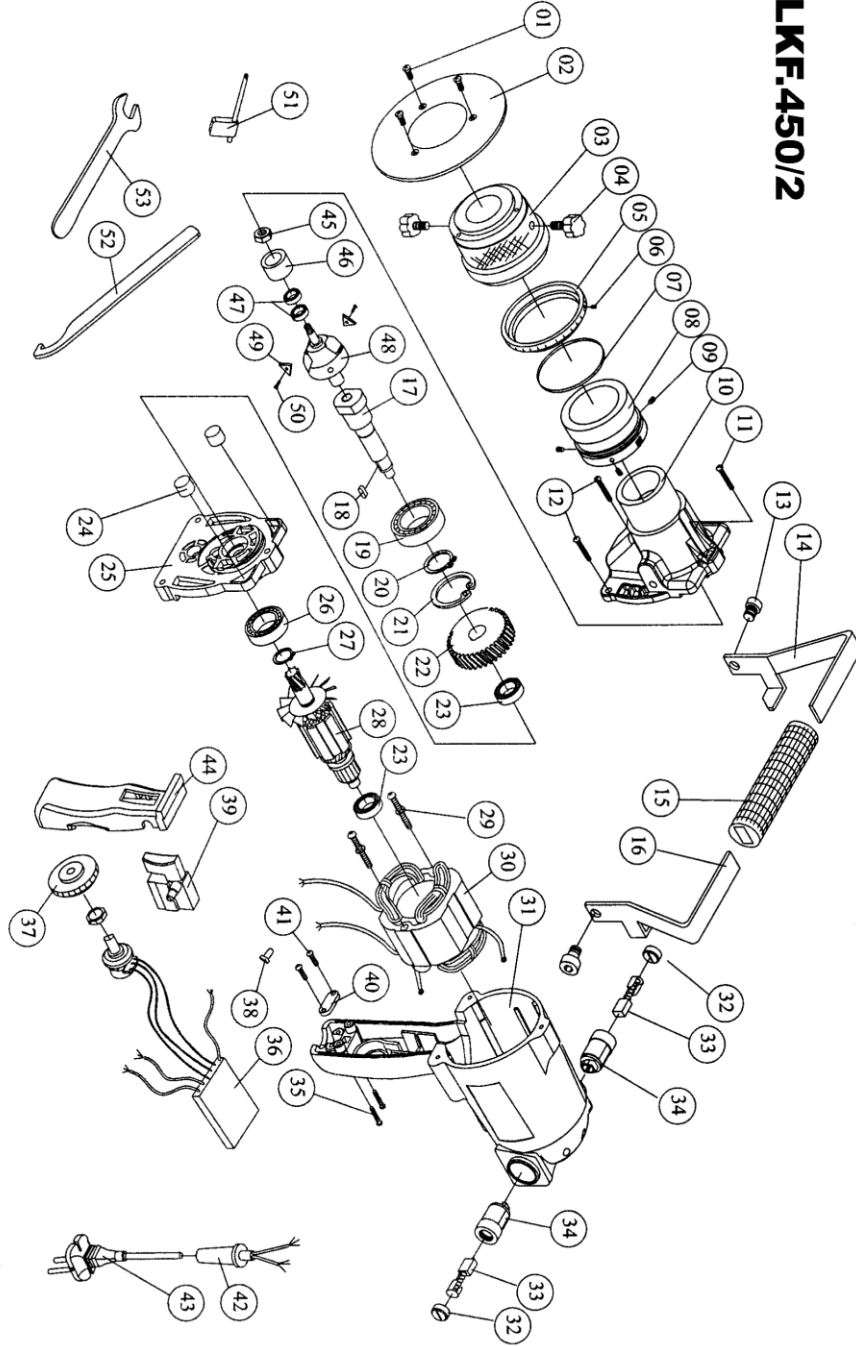
## MARINE ENGINEERING

Adres: Yayla Mah. Vatan Cad. MEKA İş Merkezi No: 58 Kat:3 D.16  
Tuzla - İSTANBUL / TURKEY

Tel: + 90 216 701 23 13 Fax: +90 216 701 23 14 Gsm: +90 532 506 39 59  
web: [www.marine-engineering.net](http://www.marine-engineering.net)



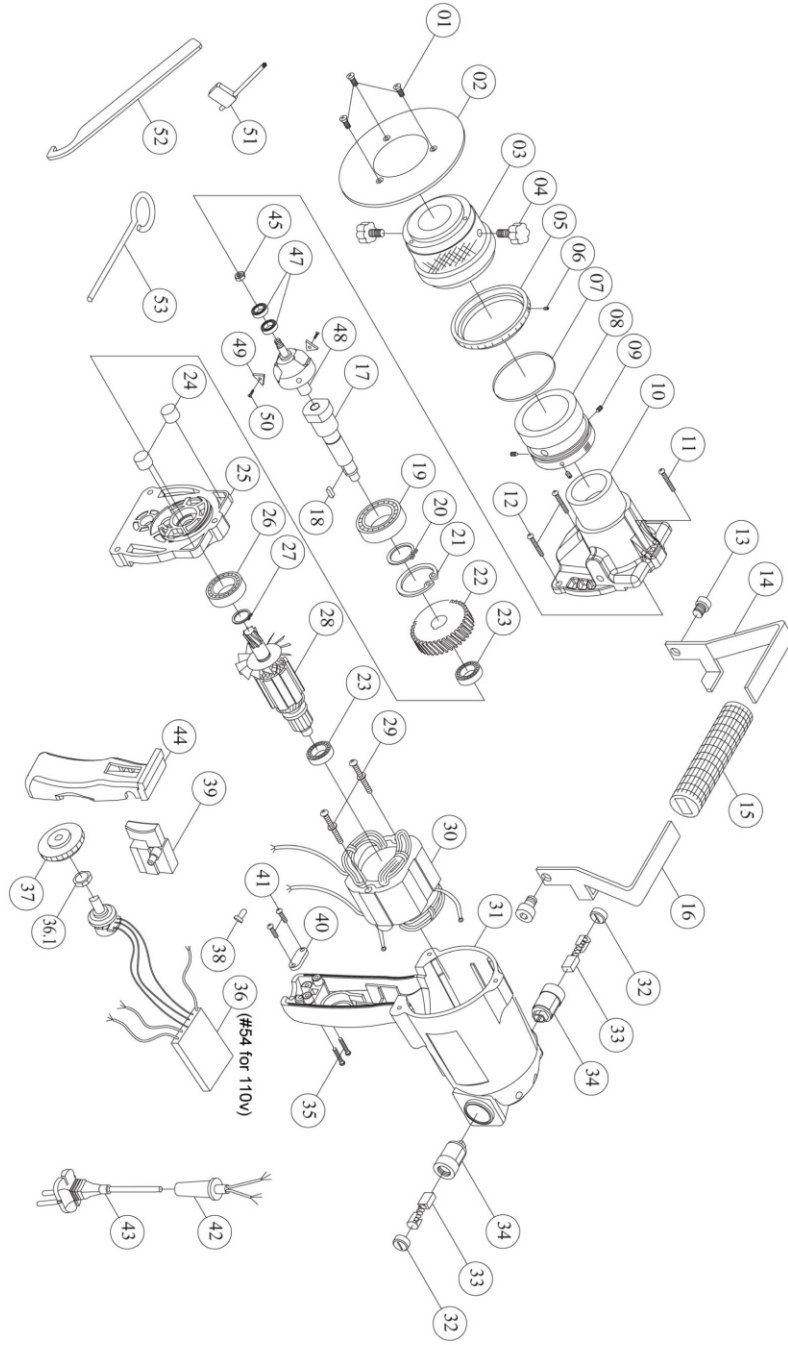
## LKF.450/2



## MARINE ENGINEERING

Adres: Yayla Mah. Vatan Cad. MEKA İş Merkezi No: 58 Kat:3 D.16  
Tuzla - İSTANBUL / TURKEY

Tel: + 90 216 701 23 13 Fax: +90 216 701 23 14 Gsm: +90 532 506 39 59  
web: [www.marine-engineering.net](http://www.marine-engineering.net)



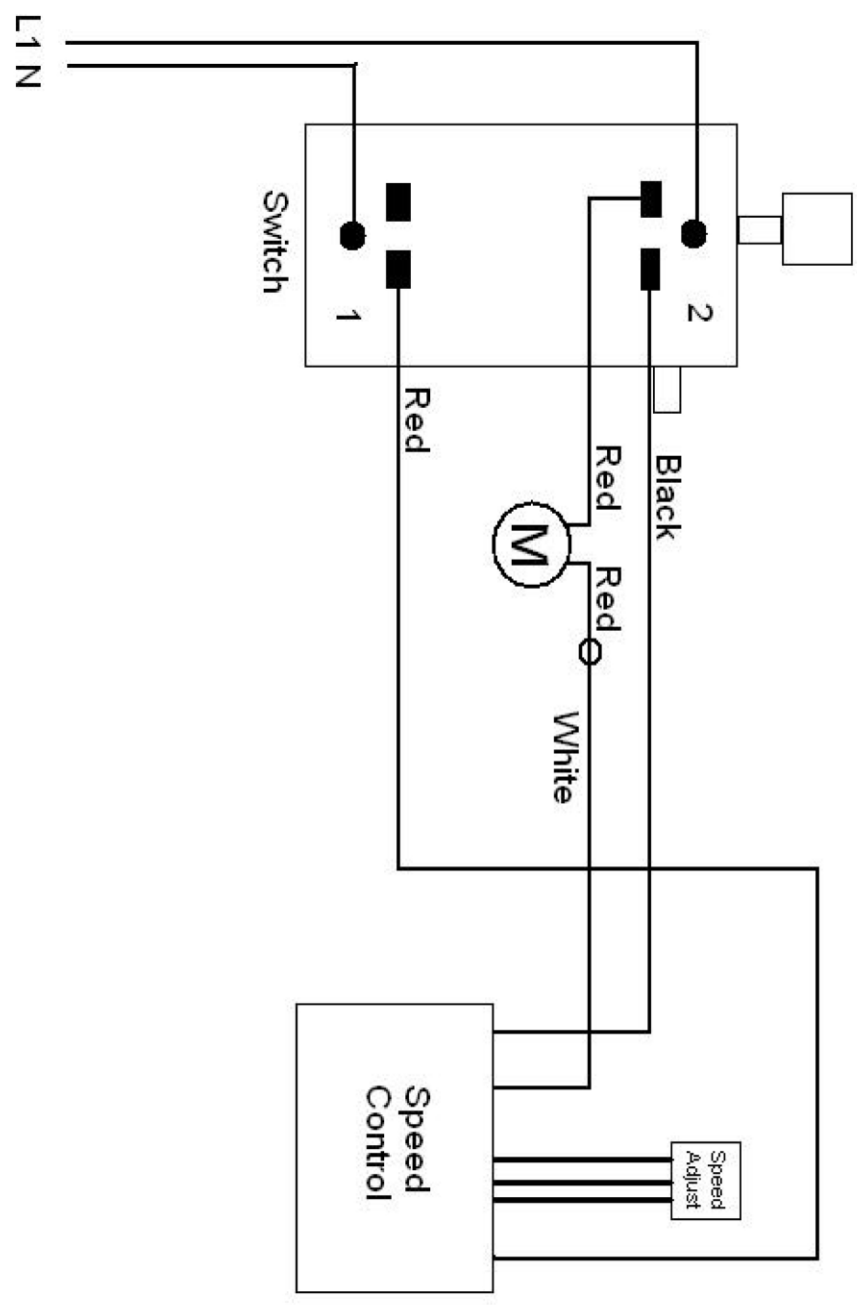
## MARINE ENGINEERING

Adres: Yayla Mah. Vatan Cad. MEKA İş Merkezi No: 58 Kat:3 D.16  
Tuzla - İSTANBUL / TURKEY

Tel: + 90 216 701 23 13 Fax: +90 216 701 23 14 Gsm: +90 532 506 39 59  
web: [www.marine-engineering.net](http://www.marine-engineering.net)



# Wiring Diagram LKF .450/2



## MARINE ENGINEERING

Adres: Yayla Mah. Vatan Cad. MEKA İş Merkezi No: 58 Kat:3 D.16  
Tuzla - İSTANBUL / TURKEY  
Tel: + 90 216 701 23 13 Fax: +90 216 701 23 14 Gsm: +90 532 506 39 59  
web: [www.marine-engineering.net](http://www.marine-engineering.net)